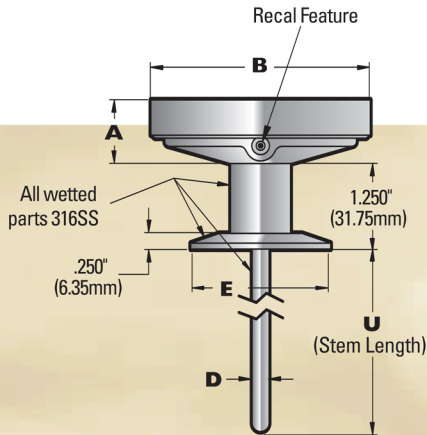
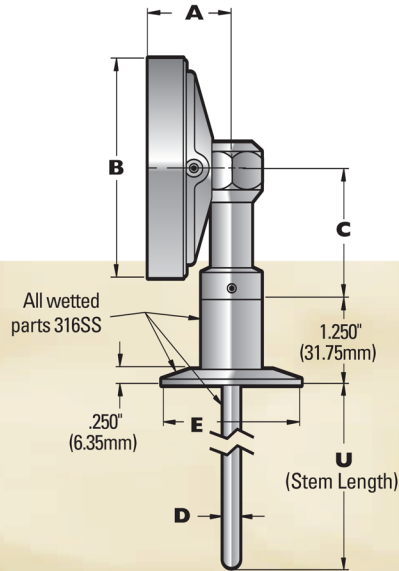


## SANITARY FITTING DIMENSIONS



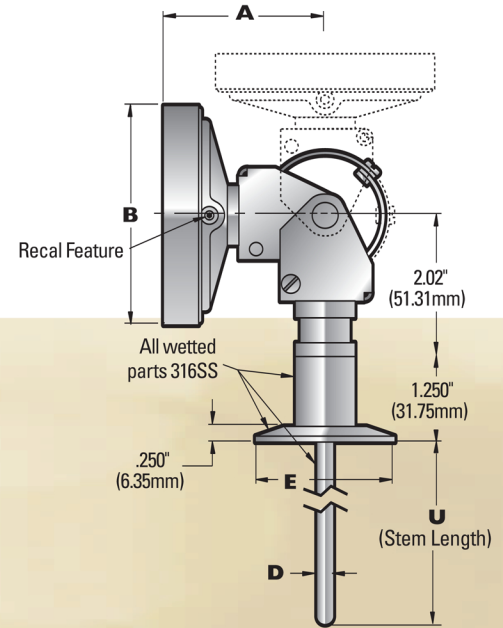
**BACK MOUNT**  
(shown with Tri-Clamp®)

SIZE	A	B
3"	.89" (23mm)	3.19" (81mm)
4"	.89" (23mm)	4.12" (104mm)
5"	.33" (34mm)	5.04" (128mm)



**BOTTOM MOUNT**  
(shown with Tri-Clamp®)

SIZE	A	B	C
3"	1.19" (30mm)	3.19" (81mm)	1.88" (48mm)
4"	1.19" (30mm)	4.12" (104mm)	2.62" (67mm)
5"	1.62" (41mm)	5.04" (128mm)	2.62" (67mm)

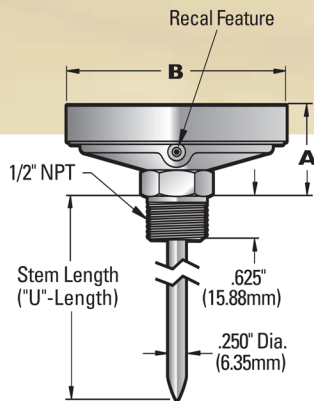


**ADJUSTABLE MOUNT**  
(shown with Tri-Clamp®)

SIZE	A	B
3"	2.43" (62mm)	3.19" (81mm)
4"	2.43" (62mm)	4.12" (104mm)
5"	2.66" (68mm)	5.04" (128mm)

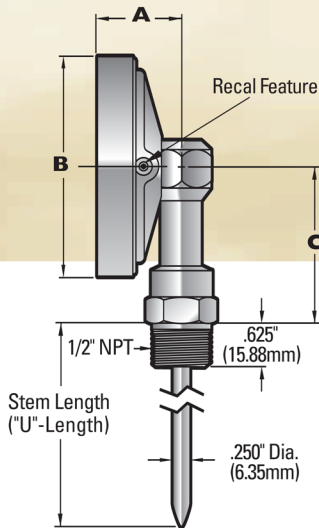
Available Tri-Clamp® Fittings (E): 3/4" Tri-Clamp = .98" (25mm), 1-1/2" Tri-Clamp = 1.98" (50mm), 2" Tri-Clamp = 2.52" (64mm), 2-1/2" Tri-Clamp = 3.05" (77mm), 3" Tri-Clamp = 3.56" (91mm), 4" Tri-Clamp = 4.68" (119mm)  
Available Stem Lengths (U): 1.62" (41mm), 2.50" (64mm), 4.50" (114mm), 7.50" (190mm), 10.50" (267mm), 13.50" (343mm), 16.50" (419mm), 22.50" (572mm)

## INDUSTRIAL FITTING DIMENSIONS



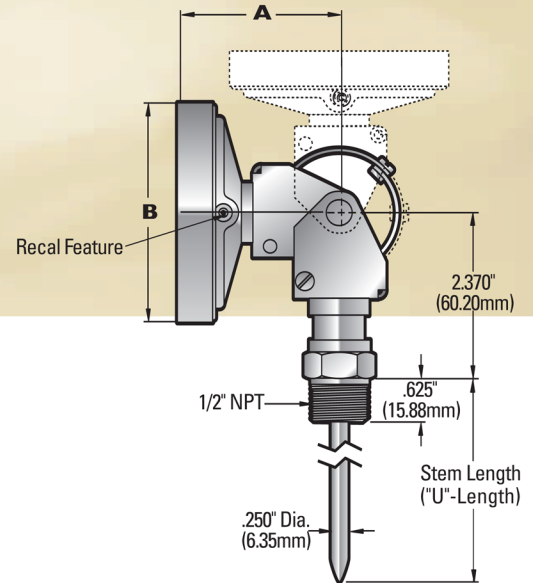
**BACK MOUNT**  
(shown with 1/2" NPT)

SIZE	A	B
3"	1.38" (35mm)	3.19" (81mm)
4"	1.38" (35mm)	4.12" (104mm)
5"	4.72" (44mm)	5.04" (128mm)



**BOTTOM MOUNT**  
(shown with 1/2" NPT)

SIZE	A	B	C
3"	1.19" (30mm)	3.19" (81mm)	2.30" (58mm)
4"	1.19" (30mm)	4.12" (104mm)	3.00" (76mm)
5"	1.62" (41mm)	5.04" (128mm)	3.00" (76mm)



**ADJUSTABLE MOUNT**  
(shown with 1/2" NPT)

SIZE	A	B
3"	2.43" (62mm)	3.19" (81mm)
4"	2.43" (62mm)	4.12" (104mm)
5"	2.66" (68mm)	5.04" (128mm)

Available Stem Lengths (U): 2.50" (64mm), 4.00" (102mm), 6.00" (152mm), 9.00" (229mm), 12.00" (305mm), 15.00" (381mm), 18.00" (457mm), 24.00" (610mm)