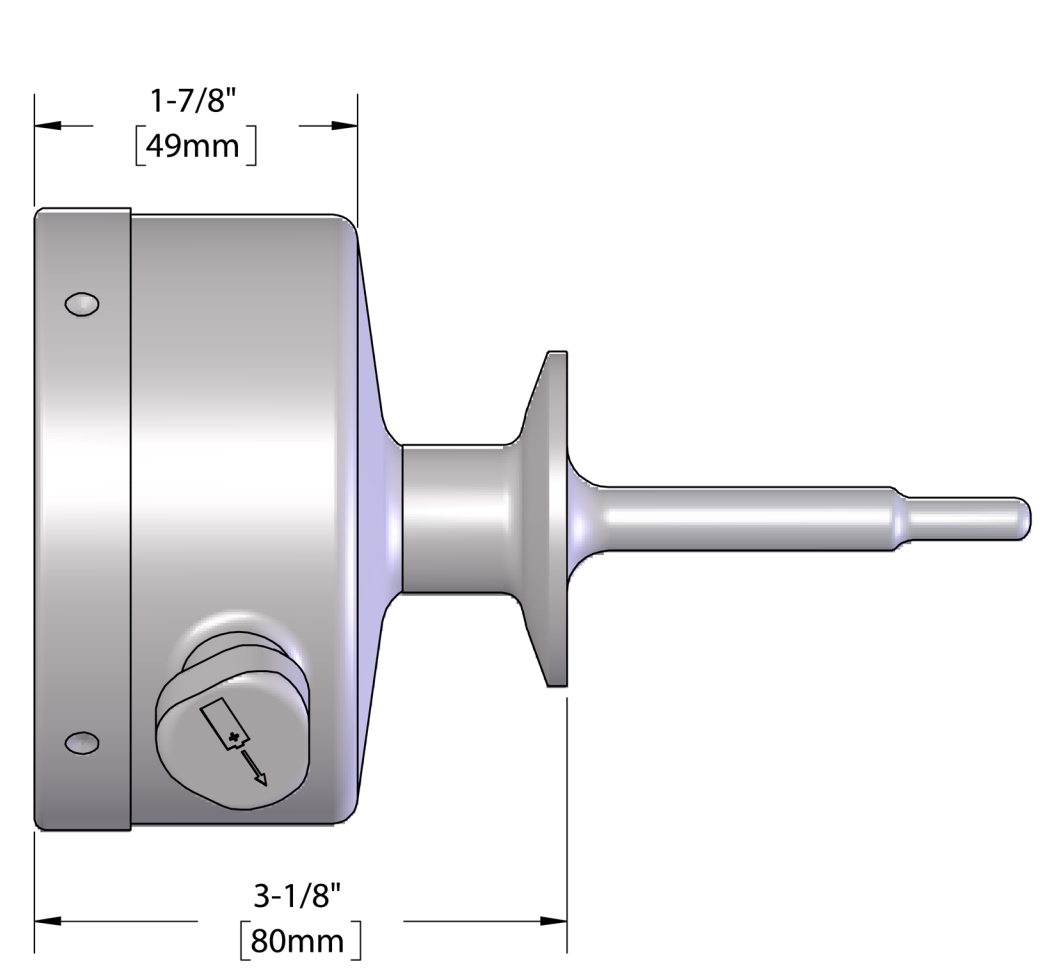
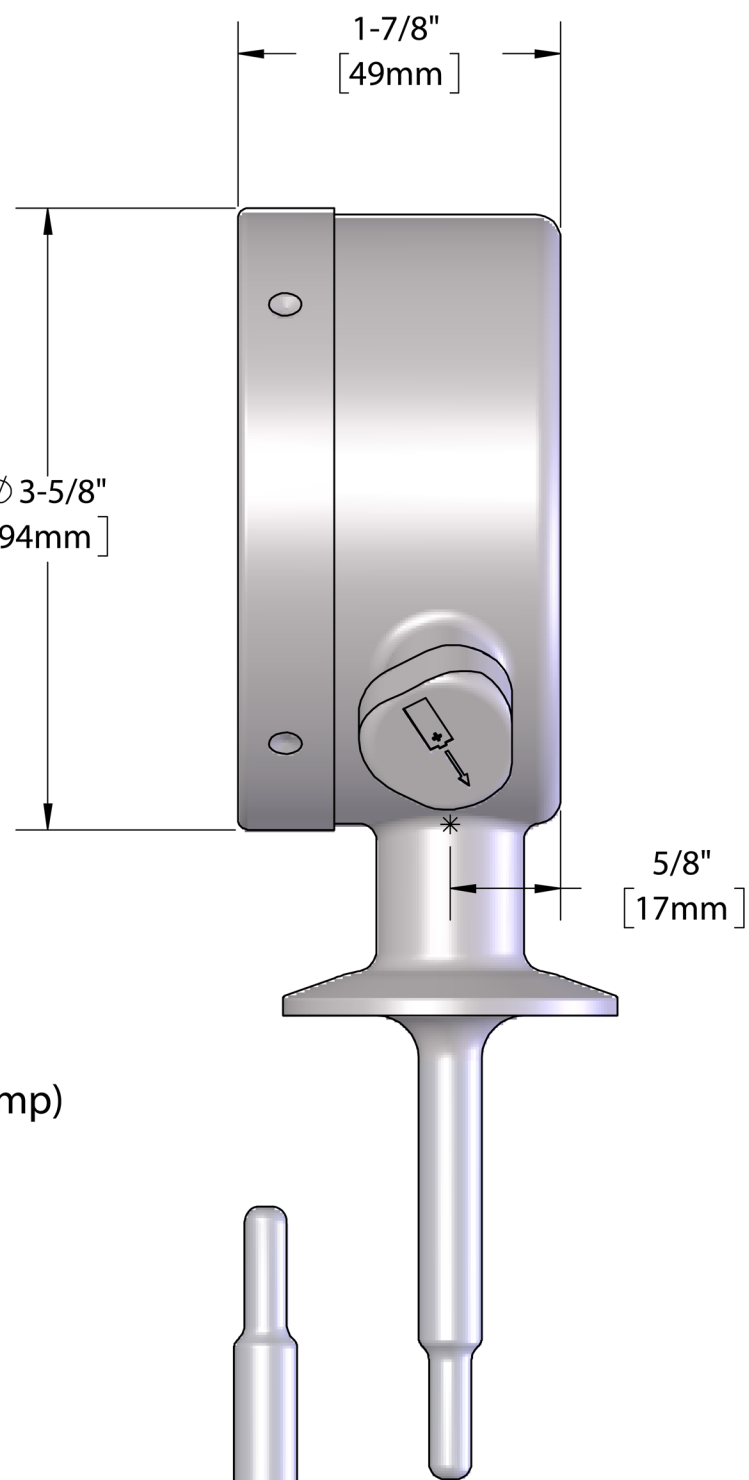


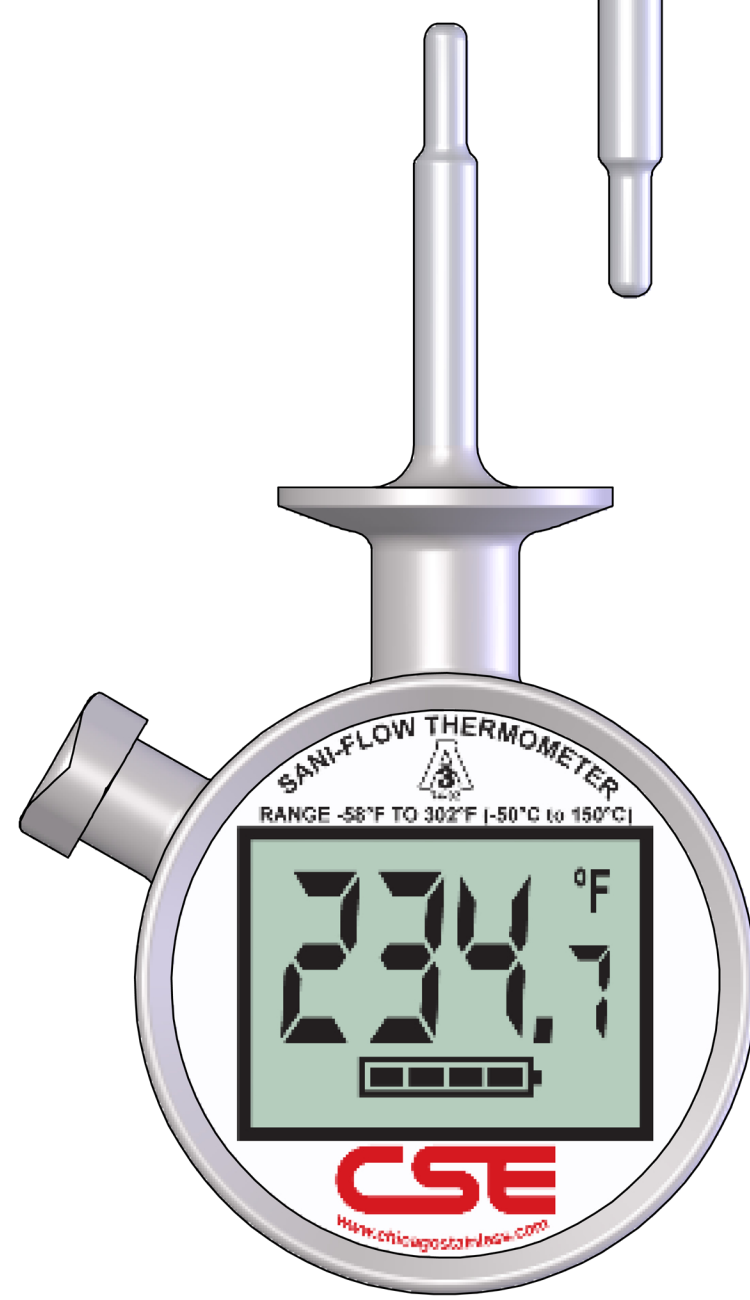
BOTTOM MOUNT
(Shown with 1/2" Tri-Clamp)



BACK MOUNT
(Shown with 1/2" Tri-Clamp)



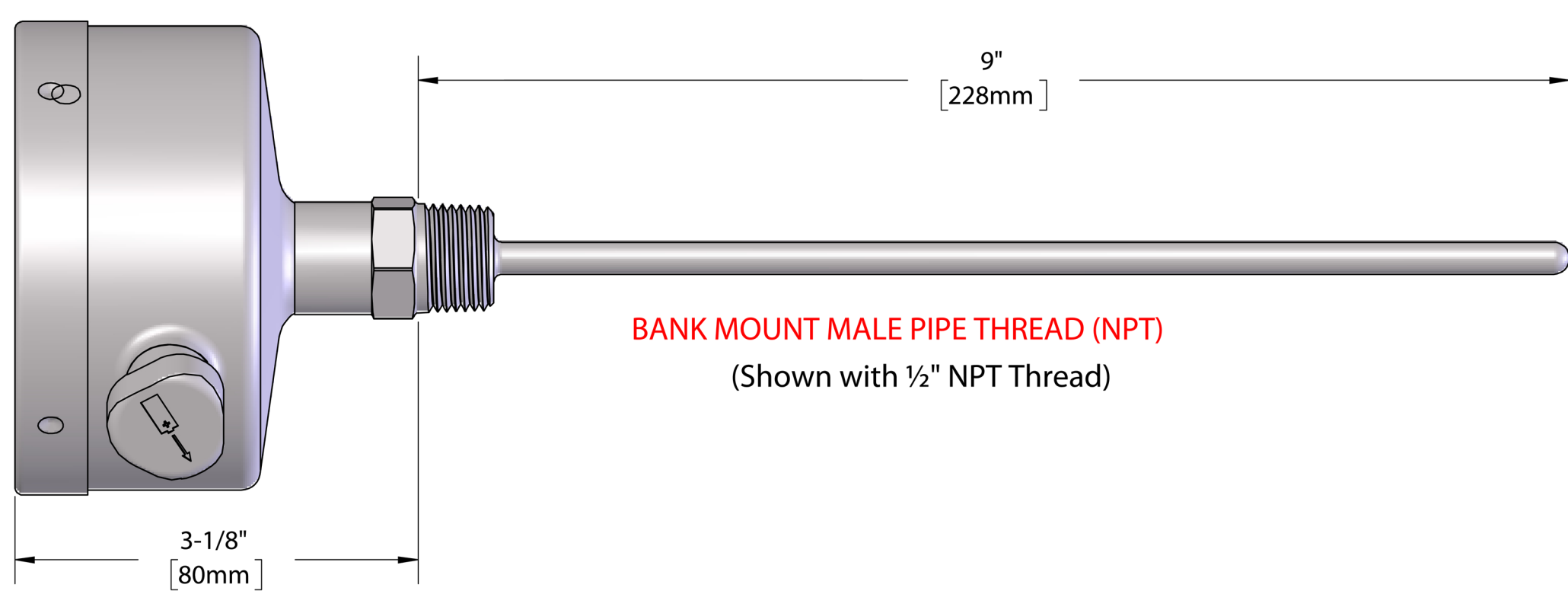
LEFT SIDE MOUNT
(Shown with 1/2" Tri-Clamp)



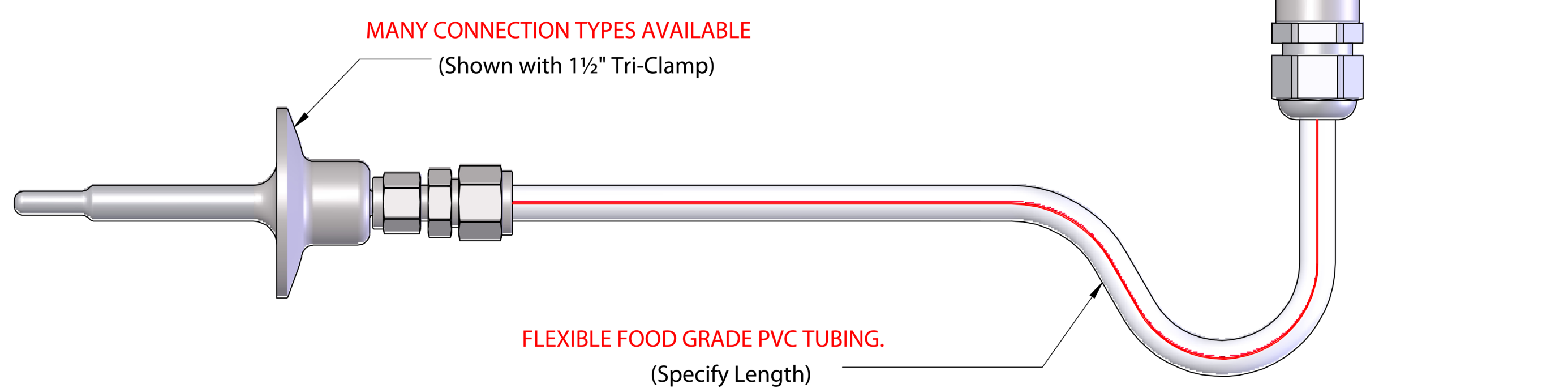
TOP MOUNT
(Shown with 1/2" Tri-Clamp)



RIGHT SIDE MOUNT
(Shown with 1/2" Tri-Clamp)



BANK MOUNT MALE PIPE THREAD (NPT)
(Shown with 1/2" NPT Thread)



MANY CONNECTION TYPES AVAILABLE
(Shown with 1/2" Tri-Clamp)

FLEXIBLE FOOD GRADE PVC TUBING.
(Specify Length)