

SANITARY PRESSURE TRANSMITTER WITHOUT DISPLAY

PM20 SERIES

Electronic Pressure Sensor PM20
with Sanitary Process Connection

1 Output:

OUT1 = Analog Output
(4 to 20 mA)

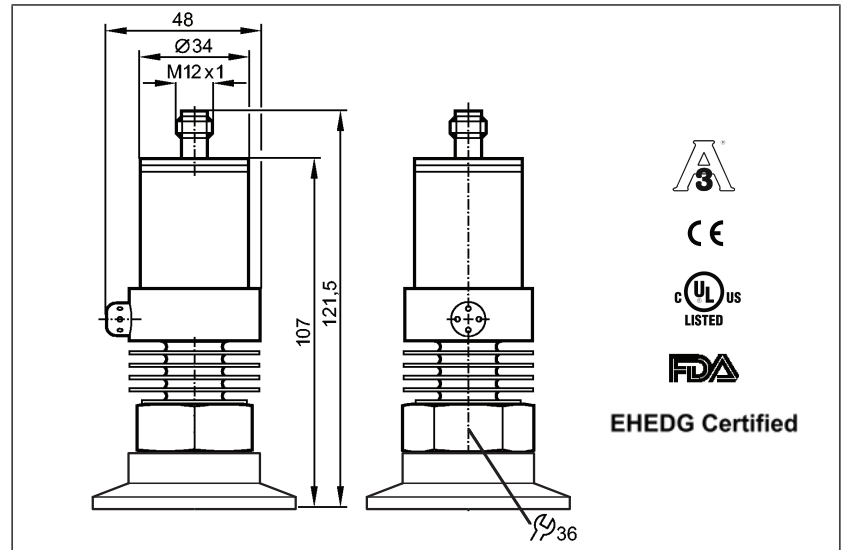
No Display

Zero & Span Adjustable

Programmable via EPS Interface

Quickly Connects with Water Tight
Standard M12 Industrial Connector
(Cables and Connectors Sold Separately)

Available in the following Ranges
and % of Span



Model	PSI	BAR	MPa	"H ₂ O	mBAR	kPa
PM2053	-15 to 363	-1 to 25	-0.1 to 2.5	--	--	--
PM2054	-7 to 145	-0.5 to 10	--	--	--	50 to 1000
PM2055	-14.4 to 58.0	-0.99 to 4.00	--	--	--	-99 to 400
PM2056	-1.8 to 36.3	0.13 to 2.50	--	--	--	-13 to 250
PM2057	-0.7 to 14.5	--	--	--	-50 to 1000	-5 to 100
PM2058	--	--	--	-5 to 100.4	-12.5 to 250	-1.25 to 25.00

Application

Application	Type of pressure: relative pressure Hygienic systems, viscous media and liquids with suspended particles Liquids and gases
Medium temperature [°C]	-25...125 (145 max. 1h)

Electrical data

Electrical design	DC
Operating voltage [V]	14...30 DC
Insulation resistance [MΩ]	> 100 (500 V DC)
Protection class	III
Reverse polarity protection	yes

Outputs

Output	Analog output
Output function	4...20 mA analog
Overload protection	yes
Analog output	4...20 mA
Max. load [Ω]	max. (U _b - 13 V) / 20 mA; 550 at U _b = 24 V

SANITARY PRESSURE TRANSMITTER

Accuracy / deviations

Accuracy / deviations

(in % of the span) Turn down 1:1

Characteristics deviation *)	< ± 0.6
Linearity	< ± 0.5
Hysteresis	< ± 0.1
Repeatability **)	< ± 0.1
Long-term stability ***)	< ± 0.1

Temperature coefficients (TEMPCO) in the range 0 ...80°C (in % of the span per 10K)

Greatest TEMPCO of the zero point	< ± 0.1
Greatest TEMPCO of the span	< ± 0.2

Reaction time

Response time analog output [ms]	3
----------------------------------	---

Environment

Ambient temperature [°C]	-25...80
Storage temperature [°C]	-40...100
Protection	IP 67

Tests / approvals

EMC	EN 61000-4-2 ESD:	4 kV CD / 8 kV AD
	EN 61000-4-3 HF radiated:	10 V/m
	EN 61000-4-4 Burst:	2 kV
	EN 61000-4-6 HF conducted:	10 V
Shock resistance	DIN IEC 68-2-27:	50 g (11 ms)
Vibration resistance	DIN IEC 68-2-6:	20 g (10...2000 Hz)
MTTF [Years]		271

Mechanical data

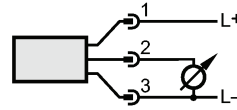
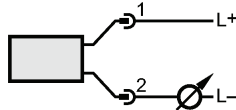
Process connection	Tri-Clamp, DIN, or Varinline
Materials (wetted parts)	ceramics (99.9 % Al ₂ O ₃); PTFE; stainless steel 316L / 1.4404; surface characteristics: Ra < 0.4 / Rz 4
Housing materials	stainless steel 316L / 1.4404; PEI; FPM (Viton)
Min. pressure cycles	100 million
Weight [kg]	0.466

Electrical connection

Connection	M12 connector; gold-plated contacts
------------	-------------------------------------

SANITARY PRESSURE TRANSMITTER

Wiring



Remarks

Remarks

*) linearity, incl. hysteresis and repeatability;
 (limit value setting to DIN 16086)
 **) with temperature fluctuations < 10 K
 ***) in % of the span per year
 The 3-A qualification is only valid if adapters with 3-A qualification are used for installation.

Pack quantity

[piece]

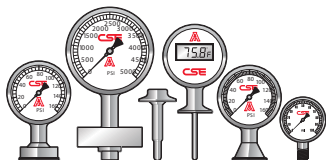
1

We reserve the right to make technical alterations without prior notice.

Visit our website or request a catalog to see our complete line of high quality precision products including:
 Sani-Flow Pressure Gauges, Homogenizer Pressure Gauges, Industrial Stainless Steel Pressure Gauges, Digital Thermometers, Pharma-Flow Pressure Gauges, Chem-Flow Pressure Gauges, Electronic Sensors Cable, Sanitary Temperature Sensors & Thermowells.

DISTRIBUTED BY:

For more information or for a distributor in your area, contact us:
 Chicago Stainless Equipment, Inc.
 772-781-1441
www.ChicagoStainless.com
webinfo@chicagostainless.com



Quality Products Since 1937
www.chicagostainless.com