

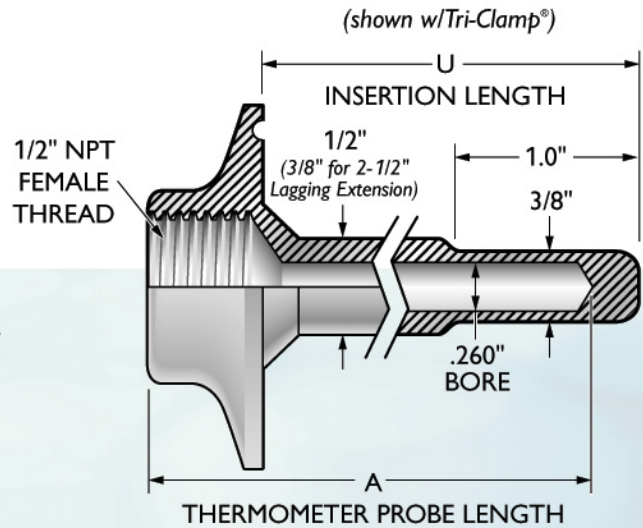
# TYPICAL FITTINGS

## THERMOWELL DIMENSIONS

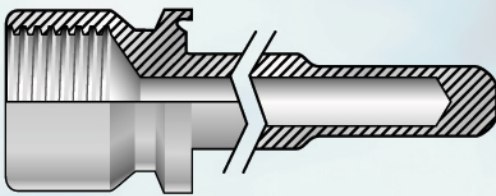
PROBE LENGTH (A)	INSERTION LENGTH (U)
2-1/2"	2-1/8" *
4"	3-5/8" *
6"	5-5/8" *
9"	8-5/8" *
12"	11-5/8" *

\* For 3/4" Tri-Clamp Fitting subtract 3/8" from "U" Dimension.  
 For Lagging Extension subtract 1-1/8" from "U" Dimension.  
 For 3/4" Tri-Clamp With Lagging Extension subtract 1-1/2" from "U" Dimension.

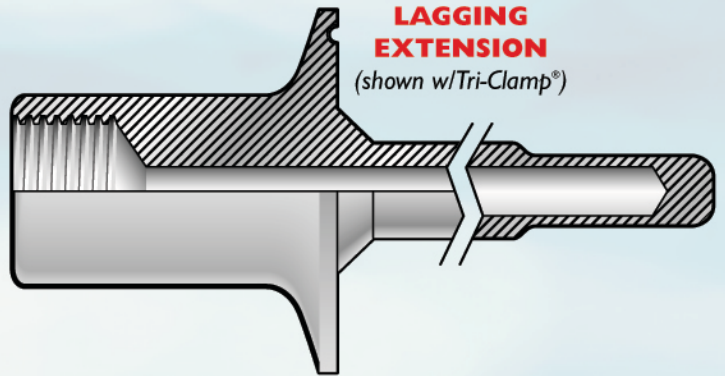
## 1" AND LARGER FITTINGS



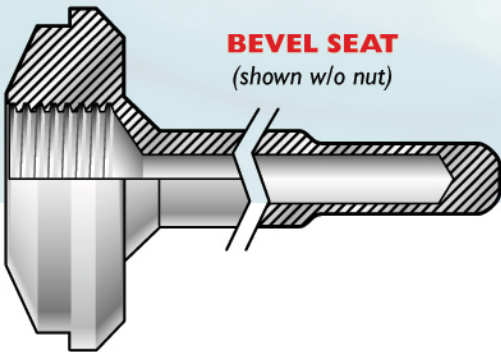
**TRI-CLAMP®**  
(3/4")



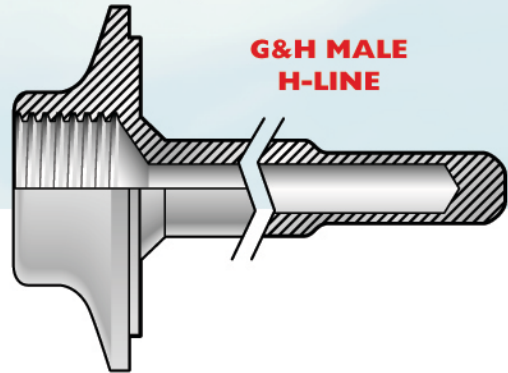
**LAGGING EXTENSION**  
(shown w/Tri-Clamp®)



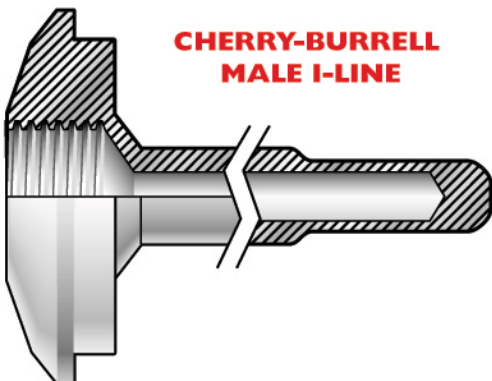
**BEVEL SEAT**  
(shown w/o nut)



**G&H MALE H-LINE**



**CHERRY-BURRELL MALE I-LINE**



**CHERRY-BURRELL "Q" CLAMP**

