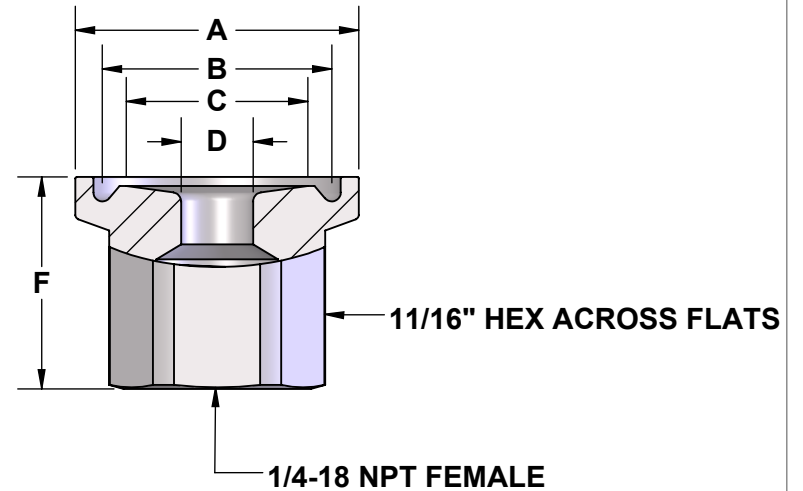
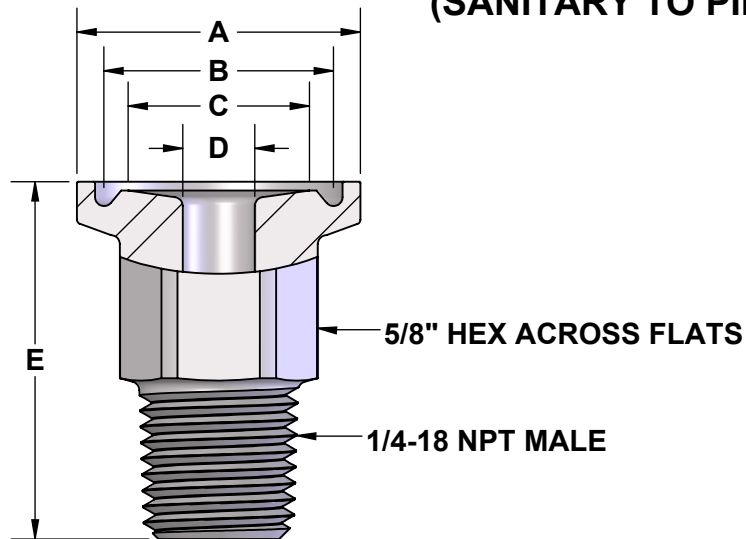


## FRACTIONAL TRI-CLAMP STP ADAPTER (SANITARY TO PIPE)



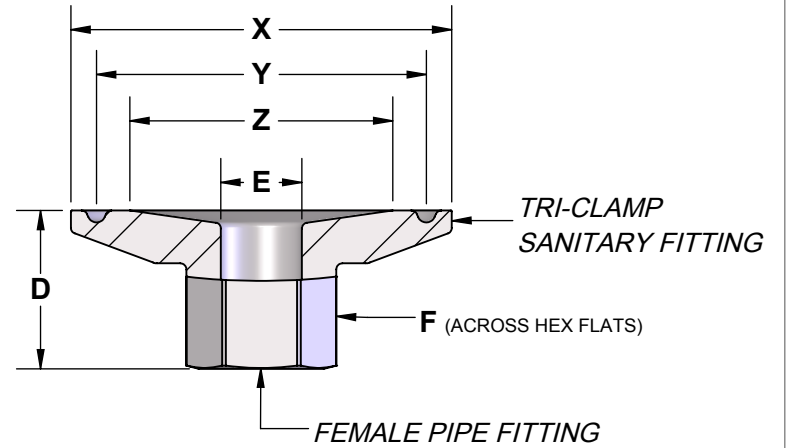
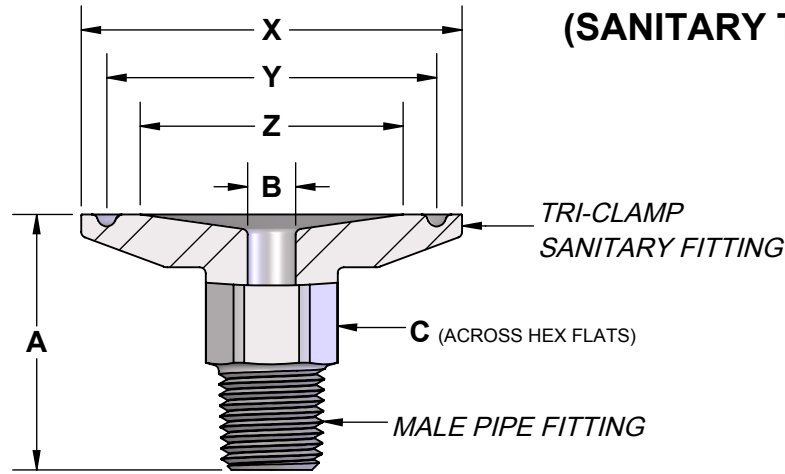
FRACTIONAL TRI-CLAMP SANITARY FITTING	A	B	C	D	E	F
1/2"	0.98"	0.80"	0.37"	1/4"	3/4"	1-1/4"
3/4"			0.63"			

REVISIONS				
REV.	DATE	DESCRIPTION	BY	APPROVED

THE INFORMATION CONTAINED IN THIS DRAWING IS THE SOLE PROPERTY OF CHICAGO STAINLESS EQUIPMENT. ANY REPRODUCTION IN PART OR AS A WHOLE WITHOUT THE WRITTEN PERMISSION OF CHICAGO STAINLESS EQUIPMENT IS PROHIBITED.

UNLESS OTHERWISE NOTED DIMENSIONS ARE IN INCHES	DRAWN	NAME	DATE	<b>CHICAGO STAINLESS EQUIPMENT</b>
	CHECKED			
	COMMENTS:			
	MATERIAL <b>AISI 316L SS</b>			
FINISH				<b>STP ADAPTER FRACTIONAL TRI-CLAMP TO PIPE FITTING</b>
SCALE: 3:2		WEIGHT: <b>0.09</b>		SIZE DWG. NO. <b>170105-02</b> REV.
DO NOT SCALE DRAWING				SHEET 1 OF 1

## TRI-CLAMP STP ADAPTER (SANITARY TO PIPE)



PIPE FITTING	MALE			FEMALE		
	A	B	C	D	E	F
<b>1/4-18 NPT</b>	1-5/16"	1/4"	5/8"	13/16"	27/64"	11/16"
<b>3/8-18 NPT</b>	1-3/8"	3/8"	3/4"	7/8"	9/16"	13/16"
<b>1/2-14 NPT</b>	1-7/16"	1/2"	7/8"	1"	11/16"	31/32"

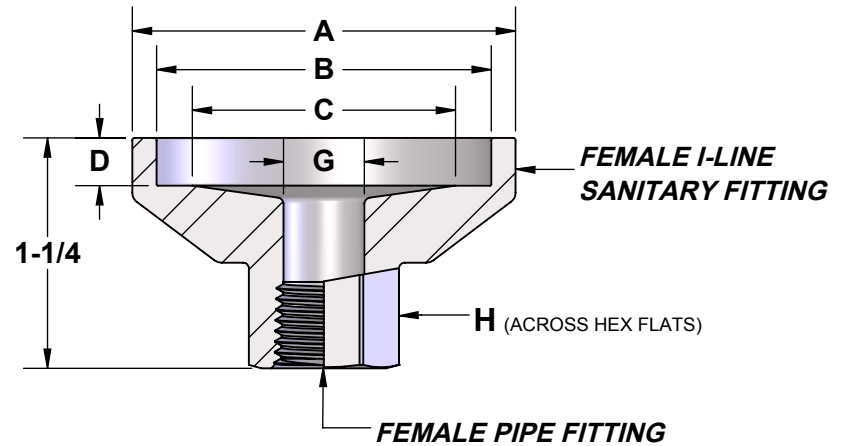
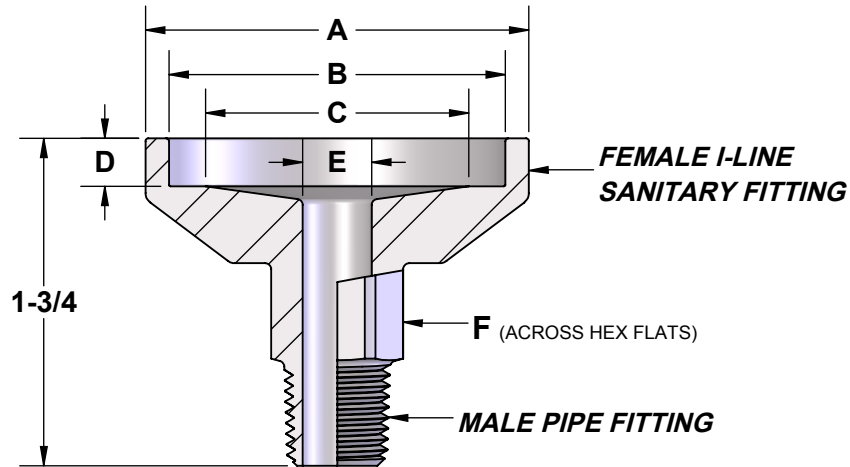
TRI-CLAMP SANITARY FITTING	X	Y	Z
<b>1"</b>	2"	1.72"	0.87"
<b>1½"</b>	2"	1.72"	1.37"
<b>2"</b>	2½"	2.22"	1.87"
<b>2½"</b>	3"	2.78"	2.37"
<b>3"</b>	3½"	3.28"	2.87"

REVISIONS				
REV.	DATE	DESCRIPTION	BY	APPROVED

PROPRIETARY AND CONFIDENTIAL  
 THE INFORMATION CONTAINED IN THIS DRAWING IS THE SOLE PROPERTY OF CHICAGO STAINLESS EQUIPMENT.  
 ANY REPRODUCTION IN PART OR AS A WHOLE WITHOUT THE WRITTEN PERMISSION OF CHICAGO STAINLESS EQUIPMENT IS PROHIBITED.

UNLESS OTHERWISE NOTED DIMENSIONS ARE IN INCHES	NAME	DATE	<b>CHICAGO STAINLESS EQUIPMENT</b>  <b>STP ADAPTER TRI-CLAMP TO PIPE FITTING</b>
	DRAWN		
	CHECKED		
	COMMENTS:		
MATERIAL			
<b>AISI 316L SS</b>			
FINISH			
DO NOT SCALE DRAWING			
SIZE DWG. NO.		REV.	
<b>A</b>		<b>170105-01</b>	
SCALE: 1:1		WEIGHT: <b>0.59</b>	
		SHEET 1 OF 1	

## FEMALE I-LINE STP ADAPTER (SANITARY TO PIPE)



SANITARY FEMALE I-LINE FITTING	A	B	C	D
1"	2"	1-1/4"	0.87"	.25"
1½"	2"	1-3/4"	1.37"	.25"
2"	2-5/8"	2-1/4"	1.87"	.31"
2½"	3-5/16"	2-3/4"	2.37"	.36"
3"	3-7/8"	3-5/16"	2.37"	.36"

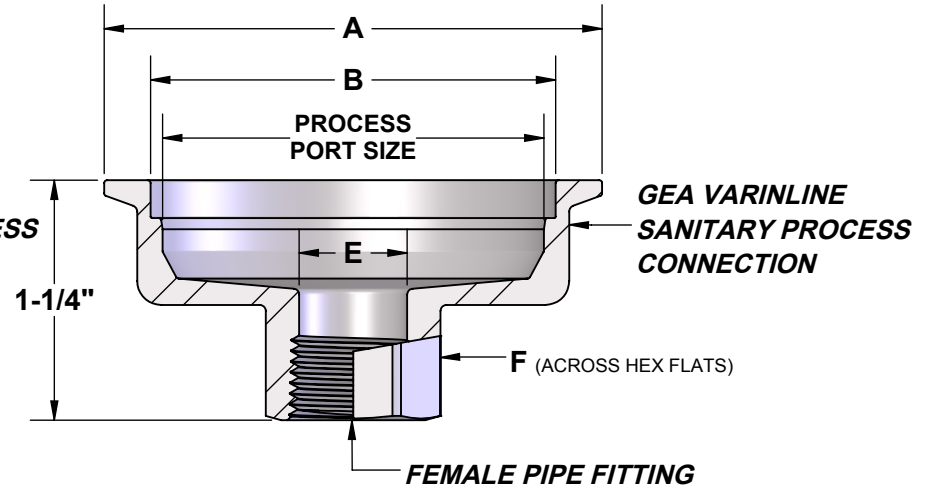
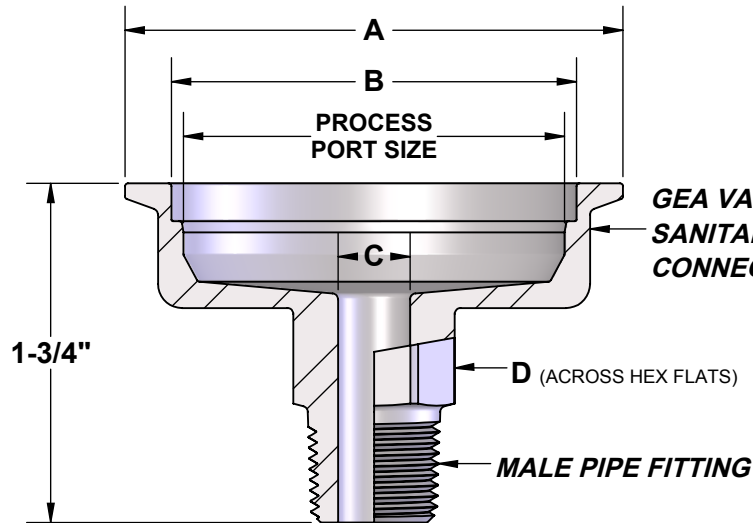
PIPE FITTING	MALE		FEMALE	
	E	F	G	H
1/4-18 NPT	.36"	5/8"	27/64"	11/16"
3/8-18 NPT	.38"	3/4"	9/16"	13/16"
1/2-14 NPT	.50"	7/8"	11/16"	31/32"

**NOTE: ALL DIMENSIONS ARE NOMINAL.  
FOR GENERAL REFERENCE ONLY**

REVISIONS					UNLESS OTHERWISE NOTED DIMENSIONS ARE IN INCHES		NAME      DATE		<b>CHICAGO STAINLESS EQUIPMENT</b>		
REV.	DATE	DESCRIPTION	BY	APPROVED			DRAWN	CHECKED	<b>STP ADAPTER I-LINE (FEMALE) TO PIPE FITTING</b>		SIZE
					MATERIAL		COMMENTS:				<b>A      170105-03</b>
					FINISH				DO NOT SCALE DRAWING		SCALE: 1:1    WEIGHT: <b>0.33</b>

THE INFORMATION CONTAINED IN THIS DRAWING IS THE SOLE PROPERTY OF CHICAGO STAINLESS EQUIPMENT.  
ANY REPRODUCTION IN PART OR AS A WHOLE WITHOUT THE WRITTEN PERMISSION OF CHICAGO STAINLESS EQUIPMENT IS PROHIBITED.

# GEA VARINLINE STP ADAPTER (SANITARY TO PIPE)



PROCESS PORT SIZE	A	B
50 mm	2-5/8"	2-1/8"
68 mm	3-5/16"	2-13/16"

**NOTE: ALL DIMENSIONS ARE NOMINAL.  
FOR GENERAL REFERENCE ONLY**

PIPE FITTING	MALE		FEMALE	
	C	D	E	F
1/4-18 NPT	.36"	5/8"	27/64"	11/16"
3/8-18 NPT	.38"	3/4"	9/16"	13/16"
1/2-14 NPT	.50"	7/8"	11/16"	31/32"

**REVISIONS**

REV.	DATE	DESCRIPTION	BY	APPROVED

PROPRIETARY AND CONFIDENTIAL

THE INFORMATION CONTAINED IN THIS DRAWING IS THE SOLE PROPERTY OF CHICAGO STAINLESS EQUIPMENT.  
ANY REPRODUCTION IN PART OR AS A WHOLE WITHOUT THE WRITTEN PERMISSION OF CHICAGO STAINLESS EQUIPMENT IS PROHIBITED.

UNLESS OTHERWISE NOTED DIMENSIONS ARE IN INCHES  MATERIAL <b>AISI 316L SS</b>  FINISH  DO NOT SCALE DRAWING	NAME	DATE	<b>CHICAGO STAINLESS EQUIPMENT</b>	
	DRAWN			
	CHECKED			
	COMMENTS:			<b>STP ADAPTER VARINLINE TO PIPE FITTING</b>
SIZE		DWG. NO.		REV.
<b>A</b>		<b>170105-04</b>		
SCALE: 1:1		WEIGHT: <b>0.33</b>		SHEET 1 OF 1