

SANI-FLOW

SANITARY DIGITAL THERMOMETERS





SANI-FLOW

SANITARY DIGITAL THERMOMETERS

Chicago Stainless Equipment has been manufacturing equipment for the dairy and food processing industry for well over half a century. We incorporated over 40 years experience in manufacturing the world's finest sanitary pressure gauges when we designed our sanitary digital thermometer. The Sani-Flow Sanitary Digital Thermometer is built to withstand the harshest environment and function for many years with little or no maintenance. Our dedication to quality is not only evident in our products, but also in our customer service. We offer immediate availability on all products and respond quickly with quality service at reasonable prices. We feel so strongly about the quality of our products and service that we guarantee complete satisfaction.

FEATURES

- Accuracy: ±1° across the full scale with large, high contrast LCD display so there is no guessing, squinting or misreading the temperature. No problem reading several thermometers at one time from a distance.
Durability: Constructed with 316L stainless steel wetted surfaces to assure maximum corrosion resistance. A clean waterproof design allows the thermometer to be hosed down or submersed for cleaning. The Lexan® lens is virtually impervious to cracks and breakage.
Dependability: Powered by one field replaceable standard AAA battery with a life of up to 3 years - no expensive battery pack. Totally electronic which means no hassles with mercury or a separated column. The thermister probe does not wander or drift like other RTD type thermometers which means fewer recalibrations will be necessary.
Versatility: One thermometer covers a range from -58° to 302°. There is no need to have different thermometers for different applications.
Field Recalibratable: Simply turn a screw on the electronics to adjust calibration. No special tools or charts needed. Check and adjust quickly and easily during routine maintenance or battery replacement.
Special Probe Lengths available in a matter of days not weeks.
A Unique Modular Design means any thermometer can be customized for tough, abusive or special applications.
Repairable: The modular design also allows for cost effective and timely repairs.
Service: Thermometers are available from stock ready to ship. No hassle return policy. No restocking charge on standard thermometers.

SPECIFICATIONS

Table with 2 columns: Specification and Value. Includes Accuracy (±1°), Wetted Surfaces (316L Stainless Steel), Surface Finish (Ra max = 8 microinches), Case Material (304 Stainless Steel), Dial Size (3 1/2" Diameter), Lens Material (1/4" Lexan®), Temperature Limits (-58°F to 302°F), Ambient Operating Limits (-4°F to 140°F), LCD Display Size (0.6"), Resolution (0.1°F), Battery Size/Life (Standard AAA/3 Years), Shipping Weight (Approx. 3 lbs.).

FITTINGS

Table with 4 columns: STYLE, SIZE, PROBE LENGTH, CODE. Lists various fitting options like Tri-Clamp, Projectile Well, NPT, Split Ferrule, Air Space, and Captive Nut/Bevel Seat with their respective sizes and codes.

Table with 4 columns: STYLE, SIZE, PROBE LENGTH, CODE. Lists Cherry-Burrell and Male I-Line styles with their sizes and codes.

Lexan® is a registered trademark of General Electric Corporation.

Tri-Clamp® is a registered trademark of Tri-Clover, Inc.

TYPICAL FITTINGS

LEFT SIDE MOUNT

(shown with 1 1/2" Tri-Clamp®)



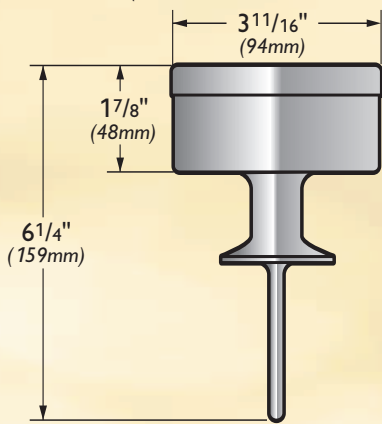
RIGHT SIDE MOUNT

(shown with 1 1/2" Tri-Clamp®)



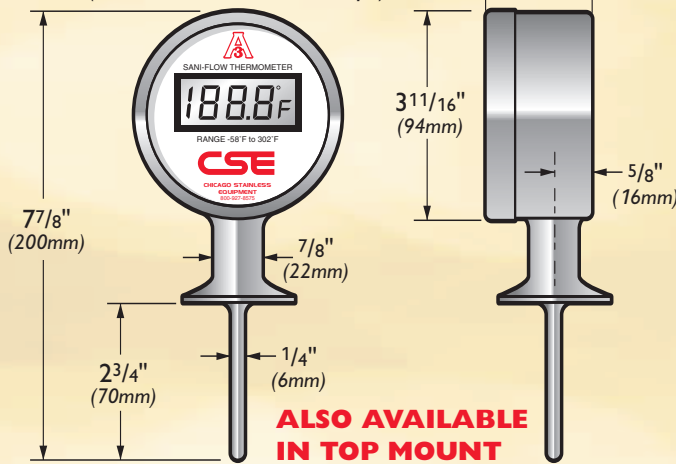
BACK MOUNT

(shown with 1 1/2" Tri-Clamp®)

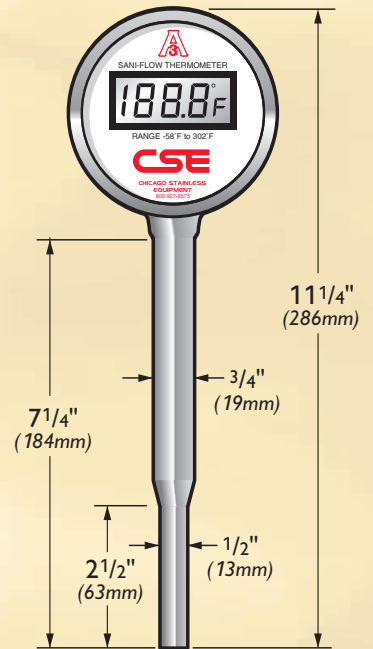


BOTTOM MOUNT

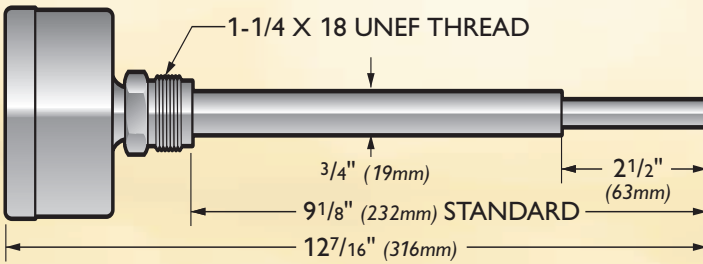
(shown with 1 1/2" Tri-Clamp®)



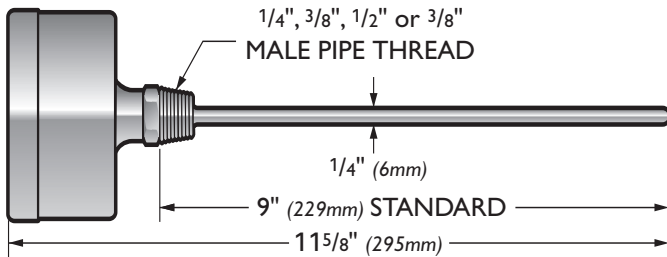
AIR SPACE



PROJECTILE WELL



PIPE THREAD (NPT)



REMOTE MOUNT

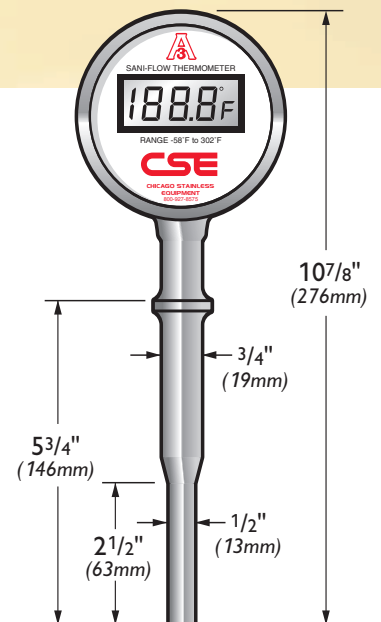
(shown with 1/2" NPT)



AVAILABLE IN ANY CONNECTION

FLEXIBLE FOOD GRADE PVC TUBING AVAILABLE IN DIFFERENT LENGTHS

SPLIT FERRULE





SANI-FLOW

SANITARY DIGITAL THERMOMETERS ORDERING INFORMATION

Below are typical examples of models with their descriptions.

EXAMPLE 1: DT - 1 1/2 U - BT - DF - 1 Describes a Sani-Flow Digital Thermometer with 1-1/2" tri-clamp fitting, bottom mounted with °F display and 1 second up-date interval.

EXAMPLE 2: DT - 2 U - LF - DC - 1 Describes a Sani-Flow Digital Thermometer with 2" tri-clamp fitting, left side mounted with °C display and 1 second up-date interval.

EXAMPLE 3: DT - 1/2 NPT - BK - DF - 10 Describes a Sani-Flow Digital Thermometer with 1/2" pipe thread fitting, back mounted with °F display and 10 second up-date interval.

EXAMPLE 4: DT - 9PW - BK - DF - 10 Describes a Sani-Flow Digital Thermometer with 9-1/8" projectile well fitting, back mounted with °F display and 10 second up-date interval.

MODEL NUMBER CONSISTS OF: SERIES - FITTING - MOUNT - DISPLAY - UP-DATE DT - 2U - BT - DF - 10

Please make a selection from each category below:

SERIES

DT - Sani-Flow Digital Thermometer

SANITARY FITTINGS

(Fittings available in 1/2", 3/4", 1-1/2", 2", 2-1/2", 3" & 4")

- H - G&H "H" Line Male
I - Cherry-Burrell Male I-Line
K - APC "K" Clamp
Q - Cherry-Burrell Q-Line
T - #13H Captive Nut & #14 Bevel Seat
U - Tri-Clamp

(Specify size, then adapter type such as 1-1/2U for 1-1/2" Tri-Clamp adapter.)

OTHER FITTINGS

(Specify probe length)

- A - Air Space
M - Umbrella Fitting
NPT - 1/4", 3/8", 1/2", 5/8" or 3/4" Pipe Thread
PW - Projectile Well with 1 1/4 - 18 UNEF Male Thread
SP - Split Ferrule
VP - VAT Well Fitting with #13H Captive Nut
OF - No Fitting

MOUNT

- BT - Bottom Mount
RT - Right Side Mount
LF - Left Side Mount
TP - Top Mount
BK - Back Mount
BTR - Remote Fitting

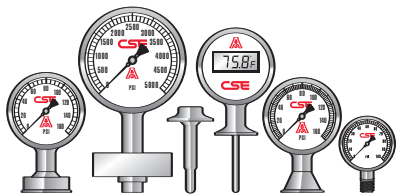
DISPLAY

- DF - °F (Fahrenheit) - Standard
DC - °C (Celsius)

UP-DATE INTERVAL

- 1 - One Second Up-Date Interval (1 year battery life)
10 - Ten Second Up-Date Interval (3 year battery life)

Visit our website or request a catalog to see our complete line of high quality, precision products including: Sani-Flow Pressure Gauges, Homogenizer Pressure Gauges, Industrial Stainless Steel Pressure Gauges, Digital Thermometers, Pharma-Flow Pressure Gauges, Chem-Flow Pressure Gauges, Electronic Sensors Cable, Sanitary Temperature Sensors & Thermowells.



DISTRIBUTED BY:

For more information or for a distributor in your area, contact us: Chicago Stainless Equipment 800-927-8575 www.chicagostainless.com dt@chicagostainless.com