

SANI-FLOW BREWERY PRESSURE GAUGES



QUALITY PRODUCTS SINCE 1937
www.ChicagoStainless.com

Chicago Stainless Equipment, Inc has been manufacturing Sanitary Instrumentation for the food processing industry since 1937. Our Brewery Pressure Gauges were designed primarily for the brewing industry. These gauges are capable of withstanding the typical environment of a brewery. They have a high durability without compromising our high standard of accuracy. They are constructed with an all Stainless Steel case, and are available in hundreds of different configurations to provide you with exactly what your brewery needs.

All of our pressure gauges are built to withstand the harshest environments and function for many years with little to no maintenance. Our dedication to quality is not only evident in our products, but also in our customer service. CSE commits to offering the highest level of product and resources to every customer. We provide efficient, quick, and friendly service along with striving to build relationships with all of our partners.

KEY FEATURES

Affordability	Our brewery gauge is our most affordable sanitary pressure gauge
304L Stainless Steel Case	For durability even in the harshest environments
316L Stainless Steel Construction	On all wetted surfaces, assures maximum corrosion resistance
Polycarbonate Lens	Ensures durability
Waterproof Construction	Allows gauge to be submersed for cleaning
Clean-In-Place (CIP)	Can be cleaned in place for convenience and to eliminate the possibility of damage from mishandling
Pressure Ranges	Available from 30 psi up to 1,000 psi Also available in vacuum ranges
Dial Face Sizes	Available in 2½" or 4"
Flush Diaphragm	No sharp edges or corners. Eliminating the possibility of any contaminants.
True Zero with Re-Zero Feature	Standard on all Sanitary Gauges
Unique Pulsation Dampening System	To insulate the gauge movement from punishing pulsations which shorten the life of an ordinary pressure gauge
Glycerin Fill	Standard to protect the gear mechanism against wear and vibration
350°F Maximum Process Temperature (176°C)	With high temperature option

TYPICAL INDUSTRIES

- Brewery
- Winery
- Distillery
- Food
- Specialized OEM Equipment

SPECIFICATIONS

TOLERANCES:

Compliance:	NEMA 4X, IP67, ISO 9001:2015
Accuracy: 2" Dial	±1.5% of Full Scale
Accuracy: 4" Dial	±1.5% of Full Scale
Over Range Capability:	25% Over Range
Repeatability:	±0.5% of Full Scale
Linearity:	±0.5% of Full Scale
Hysteresis:	±0.5% of Full Scale
Process Temperature Range:	0° to 176°F (-18° to 80°C) *
Ambient Operating Limits:	-25° to 140°F (-4° to 60°C)
Ambient Storage Limits:	0° to 250°F (-18° to 121°C)

* High Temperature Option increases maximum process temperature to 350°F (176°C)

CONSTRUCTION:

Available Dial Sizes	2½" (63mm), 4" (100mm)
Product Contact Material:	316L Stainless Steel
Product Contact Finish:	R _a max = 32µin (0.81µm)
Case and Lens Ring Material:	304L Stainless Steel
Lens Material:	1/4" Thick (6.4mm) Polycarbonate
Dial Face:	Aluminum Printed with UV Inks (No Stickers)
Bourdon Tube:	316L Stainless Steel
Socket:	316L Stainless Steel
Re-Zero Adjustment:	Standard - 100% of Span *
Standard Case Fill:	99.7% USP Food Grade Glycerin *
Standard System Fill:	99.7% USP Food Grade Glycerin *
Approx. Shipping Weight (2½"):	1 Pound (0.5 Kg)
Approx. Shipping Weight (4"):	2 Pounds (1.0 Kg)

* Other fill options available - See website or contact us

PART NUMBERS

Example: **2A-I-15U-GF-BT-MTR-CC - CSE**

SERIES

2-1/2" Sani-Flow Brewery Pressure Gauge	2A
4" Sani-Flow Brewery Pressure Gauge	4A

SINGLE SCALE

<u>RANGE</u>	<u>PSI</u>	<u>BAR</u>	<u>kg/cm²</u>	<u>kPa</u>	<u>MPa</u>	<u>Tons/Ft²</u>	<u>Atmospheres</u>
0 to 30	B	2BAR	2KG	200KPA		2TON	2ATM
0 to 60	C	4BAR	4KG	400KPA		4TON	4ATM
0 to 100	D	7BAR	7KG	700KPA		7TON	7ATM
		10BAR	10KG	1000KPA		10TON	10ATM
0 to 160	E	11BAR	11KG	1100KPA	1.1MPA	11TON	11ATM
0 to 200	F	14BAR	14KG		1.4MPA	14TON	14ATM
0 to 300	G	21BAR	21KG		2.1MPA	21TON	21ATM
0 to 400	H	28BAR	28KG		2.8MPA	28TON	28ATM
0 to 600	I	42BAR	42KG		4.2MPA	42TON	42ATM
0 to 1,000	K	70BAR	70KG		7MPA	70TON	70ATM
30"Hg to 30	M	-1/2BAR	-1/2KG	-100/200KPA		-1/2TON	-1/2ATM
30"Hg to 60	N	-1/4BAR	-1/4KG	-100/400KPA		-1/4TON	-1/4ATM
30"Hg to 100	O	-1/7BAR	-1/7KG	-100/700KPA		-1/7TON	-1/7ATM
30"Hg to 150	P	-1/10BAR	-1/10KG	-100/1000KPA	-.1/1MPA	-1/10TON	-1/10ATM
30"Hg to 200	Q	-1/14BAR	-1/14KG		-.1/1.4MPA	-1/14TON	-1/14ATM
30"Hg to 300	R	-1/21BAR	-1/21KG		-.1/2.1MPA	-1/21TON	-1/21ATM

OR

DUAL SCALE

<u>RANGE</u>	<u>PSI-BAR</u>	<u>PSI & kg/cm²</u>	<u>PSI & kPa</u>	<u>PSI & MPa</u>	<u>PSI & Tons/Ft²</u>	<u>PSI & Tons/Ft²</u>
0 to 30	BB	BKG	BKP		BTON	BATM
0 to 60	CB	CKG	CKP		CTON	CATM
0 to 100	DB	DKG	DKP		DTON	DATM
0 to 160	EB	EKG	EKP	EMPA	ETON	EATM
0 to 200	FB	FKG		FMPA	FTON	FATM
0 to 300	GB	GKG		GMPA	GTON	GATM
0 to 400	HB	HKG		HMPA	HTON	HATM
0 to 600	IB	IKG		IMPA	ITON	IATM
0 to 1,000	KB	KKG		KMPA	KTON	KATM
30"Hg to 30	MB	MKG	MKP		MTON	MATM
30"Hg to 60	NB	NKG	NKP		NTON	NATM
30"Hg to 100	OB	OKG	OKP		OTON	OATM
30"Hg to 150	PB	PKG	PKP	PMPA	PTON	PATM
30"Hg to 200	QB	QKG		QMPA	QTON	QATM
30"Hg to 300	RB	RKG		RMPA	RTON	RATM

PART NUMBERS CONT...

Example: **2P-I-15U-GF-BT-MTR-CC - CSE**

FITTING SIZE (By Inch)

1-1/2" HAS A CODE OF "15"

FITTING TYPE

1-1/2"	2"	Tri-Clamp	U
--------	----	-----------	---

CASE FILL

MOUNT STYLE

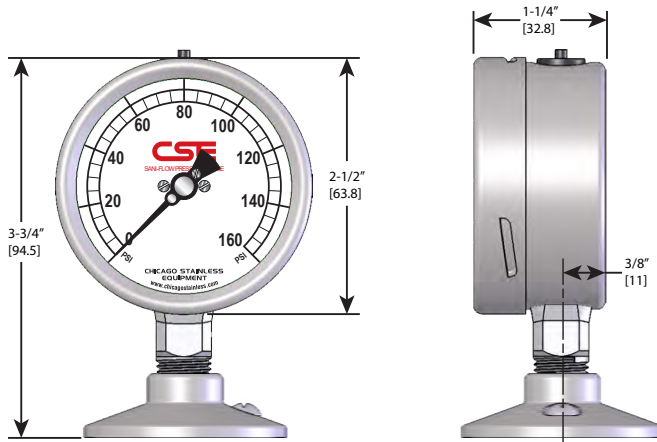
Glycerin Filled Case * STANDARD *	GF	Bottom Mount	BT
No Fill	NF	Center Back Mount	BK
Mineral Oil Filled Case	MF	Left Side Mount	LF
Silicone Filled Case	SF	Right Side Mount	RT
Propylene Glycol Filled Case	PF	Top Mount	TP

LOGO * CUSTOM LOGOS AVAILABLE UPON REQUEST *

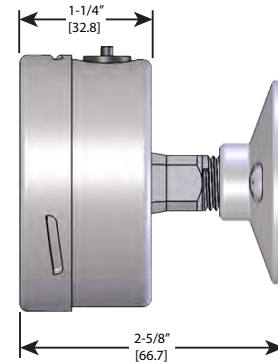
Chicago Stainless Equipment, Inc * STANDARD *	CSE
---	-----

ADDITIONAL OPTIONS

High Temperature Option	VI	Detailed Calibration Certificate	CD
Custom Color Ranged Dial	CR	Material Test Report	MTR
Mineral Oil System Fill <i>N/A on 3/4" Fittings</i>	MSF	Certificate of Conformity	CC
Silicone System Fill	SSF	Paper Tag	PTI
Propylene Glycol System Fill	PSF	Stainless Steel Tag	STI
High Visibility Dial Face - Yellow	HVY	Animal Derived Ingredient Free Cert	ADIF
High Visibility Dial Face - Green	HVG	Hastelloy Diaphragm	HD
General Calibration Certificate	CG		



2-1/2" BOTTOM MOUNT
(Shown with 1-1/2" Tri-Clamp)



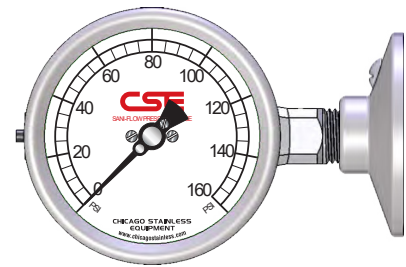
2-1/2" BACK MOUNT
(Shown with 1-1/2" Tri-Clamp)



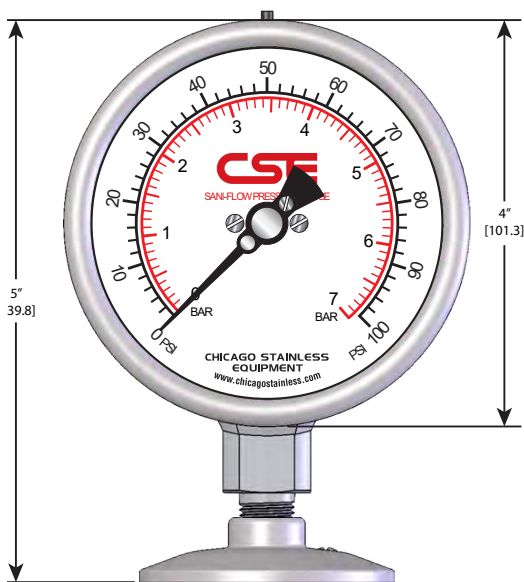
2-1/2" LEFT SIDE MOUNT
(Shown with 1-1/2" Tri-Clamp)



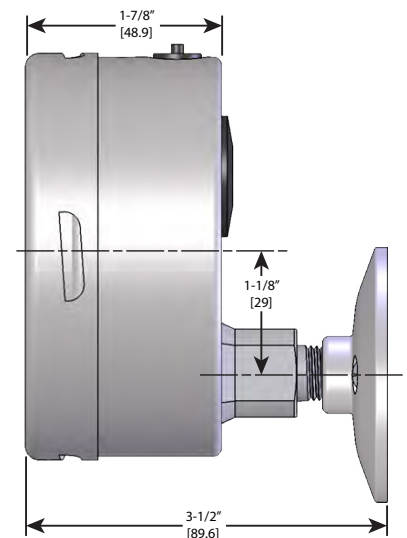
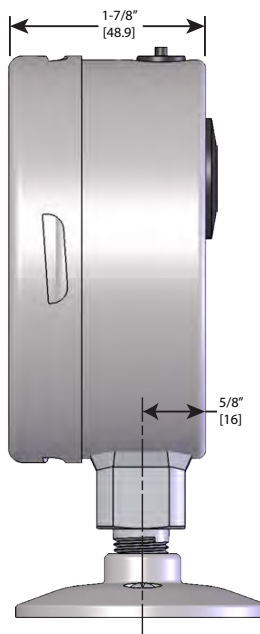
2-1/2" TOP MOUNT
(Shown with 1-1/2" Tri-Clamp)



2-1/2" RIGHT SIDE MOUNT
(Shown with 1-1/2" Tri-Clamp)



4" BOTTOM MOUNT
(Shown with 2" Tri-Clamp)



4" BACK MOUNT
(Shown with 2" Tri-Clamp)